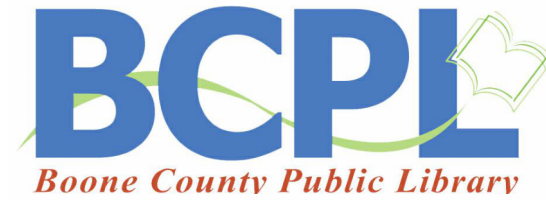


BOONE COUNTY PUBLIC LIBRARY WALTON BRANCH

PROJECT NUMBER: 2120.00
1300 TOWNE CENTER DRIVE
WALTON, KY 41094



212 North Upper Street
Lexington, Kentucky 40507
p. 859.252.6664
www.omniarchitects.com



FURNITURE PACKAGE

A-12.0	REFERENCE MATERIALS
A-12.1	OVERALL FURNITURE PLAN
A-12.2	WORKROOM
A-12.3	DRIVE THROUGH AND BRANCH MANAGER
A-12.4	STAFF LOUNGE AND STAFF VESTIBULE
A-12.5	INFIRMARY AND STORAGE
A-12.6	FAC AND FAC STORAGE
A-12.7	STUDY AND TUTOR ROOMS
A-12.8	ENTRANCE LOBBY, NEW MATERIALS, AND CIRCULATION DESK
A-12.9	INTERNET CAFE AND COMPUTERS
A-12.10	EXTERIOR COURTYARD
A-12.11	LOUNGE 1, LOUNGE 2, AND QUIET SPACE
A-12.12	TEEN
A-12.13	PRESCHOOL
A-12.14	PRESCHOOL COMPUTER STATIONS
A-12.15	MULTIPURPOSE ROOM, KITCHEN, AND STORAGE
A-12.16	SERVER CLOSET
A-12.17	MAKERSPACE
A-12.18	CONFERENCE ROOM
A-12.19	SHELVING DRAWINGS
A-12.20	SHELVING DRAWINGS
A-12.21	SHELVING DRAWINGS
A-12.22	PRESCHOOL AND CHILDRENS COLLECTION
A-12.23	ADULT AND RETIRED ADULT COLLECTION
A-12.24	ADULT COLLECTION

VENDOR SPECIFICATIONS

REQUEST FOR PROPOSAL

Boone County Public Library is seeking to enter into a contract for furniture procurement, installation, and service warranty for the Walton Branch.

The project is a one-story building with approximately 24,927 square feet. Attached to this RFP is a basis-of-design product listing and corresponding floor plans with each instance and arrangement identified. Submitting contractors shall use these materials to infer quality and estimate quantities of proposed products. Colors and finishes listed in the RFP are the basis-of-design colors. Final selections of finishes and colors will need to be reviewed with the Owner.

The building project is currently under construction with a target Substantial Completion date of July 4th, 2024. The Owner may elect to inspect and try out proposed seating in advance of final selection.

The selection criteria will include the durability of high-performance products proposed, warranties, comfort of proposed seating, vendor's service history and commitment, life cycle cost of products proposed, and overall cost value to the customer. Vendor shall include with their proposal selections for each type of item, model numbers, upholstery type, finish, list price, and part number. Alternative products for each area will be considered, but basis-of-design products should be maintained where possible.

Bids will be awarded on best evaluated and not necessarily lowest price. The Library reserves the right to accept or reject any bid based on factors, including but not limited to pricing, work history, work references, and/or ability to meet schedule requirements.

DELIVERY AND INSTALLATION

Shipment, delivery, and installation of furniture items shall be appropriately timed to ensure target dates outlined in the Request for Proposal are met.

Installer shall reference plans and images contained within these documents for design intent prior and during installation. Plans shall show approximate location of all furniture items included in this contract. Final placement of each furniture item is to be determined on-site at the time of installation by Boone County Public Library.

CLEANING AND PROTECTION

It is the responsibility of the vendor to ensure that the purchased product and building are not damaged during delivery and installation. Existing landscaping shall be protected during delivery. Should damage occur to any foliage, design elements, and or the building as a result of delivery and installation, it will be the vendor's responsibility to repair/replace.

It is the continued responsibility of the Vendor to manage the resolution process with all necessary parties until an agreed-upon solution is reached and damage is repaired. In areas where other installers are still performing work, the Vendor shall reasonably protect the stored or installed furniture items.

All furniture items shall be cleaned of all packing materials, fingerprints, dust, etc. immediately upon installation. The Vendor shall remove all shipping and installation debris from the site.

QUALITY ASSURANCE

The vendor shall be responsible for the quality of all materials and workmanship required for the execution of this contract including the materials and workmanship of any firms or individuals who act as his/her subcontractors.

Boone County Public Library shall be notified of any discrepancies in the attached materials, field conditions, and any revisions to the products provided prior to delivery and installation.

MISCELLANEOUS NOTES

Red dot ● on floor plans indicates approximate location of floor box. Field verify actual location of floor boxes where required.

4/26/2024

The Drawing and the Design shown hereon are the property of Omni Architects. The reproduction, copying or other use of this Drawing or design without the written consent of Omni Architects is prohibited.

BOONE COUNTY PUBLIC LIBRARY - WALTON BRANCH
COVER SHEET

212 North Upper Street
Lexington, Kentucky 40507
p. 859.252.6664
www.omniarchitects.com



COVER

INTERIOR FINISHES FOR
PUBLIC SPACES



ACCENT COLOR



WALL COLOR



BOOKCASE



FIREPLACE TILE



CEILING COLORS



FAC FLOORING



CAFE AND MAKERSPACE FLOORING



ENTRANCE MAT

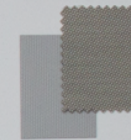


STACK AREA CARPET

SS-1

PL-1

ROLLER SHADES



CIRCULATION DESK TILE



SS-3

WALL BASE RB-2

CASEWORK FABRIC



FINISHES FOR
EXTERIOR



ACCENT COLOR



WALLS



PL-4

METAL LOCKERS



WOOD DOOR



CT-2



CANOPY



VESTIBLE CEILING



CARPET



STORAGE AND STAFF LOUNGE FLOORING



WINDOW SILL



SS-3

PL-3



KITCHEN QUARTZ

PL-1



PL-2



TOILET PARTITIONS

CT-1



EXTERIOR WALL PANELS

INTERIOR FINISHES FOR
SUPPORT SPACES

SAMPLES FOR REFERENCE ONLY
- The material finish samples shown on this sheet are the finish selections for the building. They are for reference only and are not the selections for furniture.



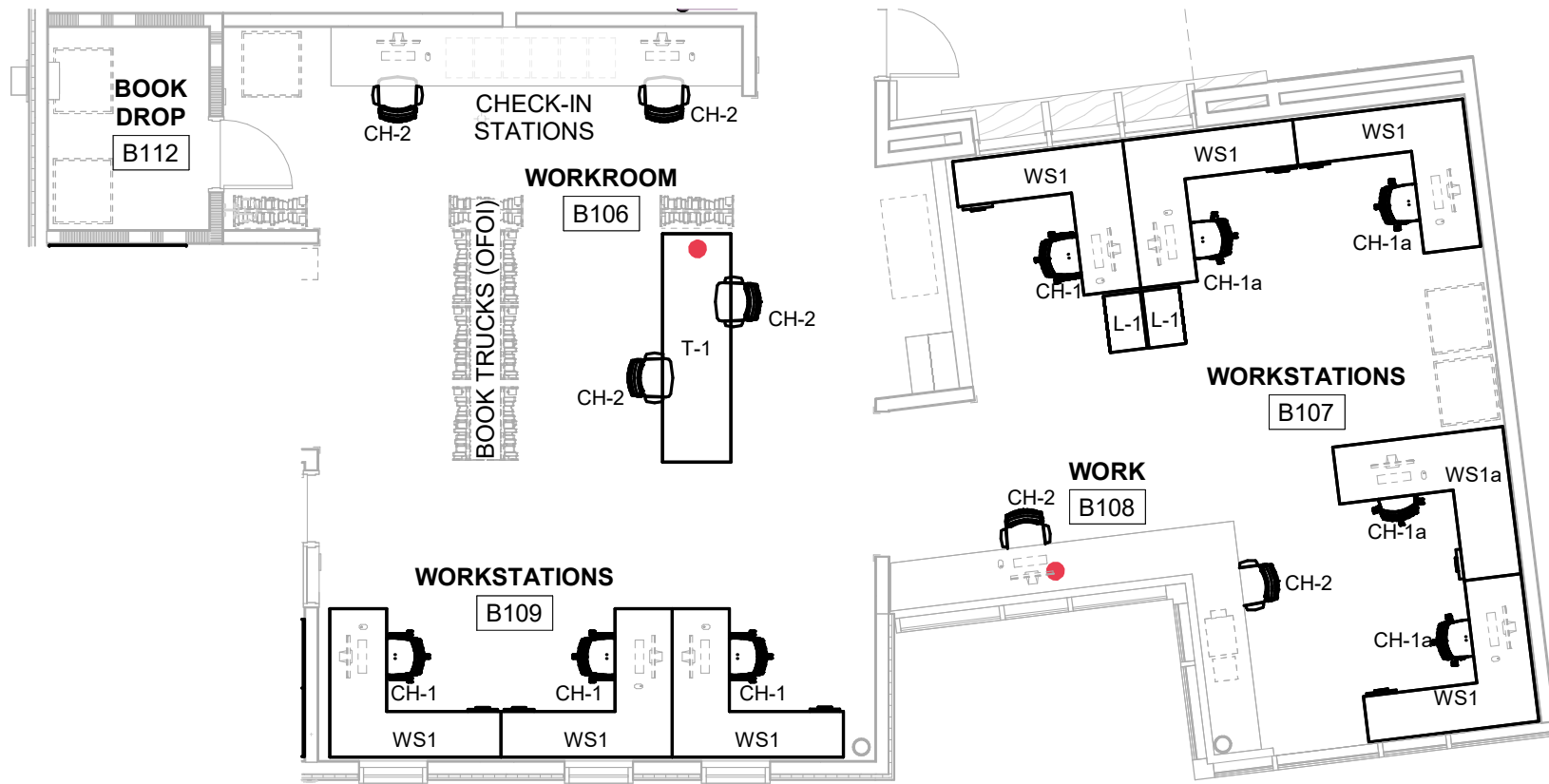
BOONE COUNTY PUBLIC LIBRARY - WALTON BRANCH
OVERALL FURNITURE PLAN

4/26/2024

The Drawing and the Design shown hereon are the property of Omni Architects. The reproduction, copying or other use of this Drawing or design without the written consent of Omni Architects is prohibited.

212 North Upper Street
 Lexington, Kentucky 40507
 P. 859.252.6664
 www.omniarchitects.com





CH-1

Manufacturer: Sit on it
Product Name: Novo mid back task chair with arms
Description: Mid back, task chair with arms, adjustable lumbar support, standard synchro with seat depth adjustment, fog frame and grade 3 seat fabric
Frame Finish: Fog
Color: TBD
Fabric Color/Grade: TBD/3



CH-2

Manufacturer: Sit on it
Product Name: Novo mid back task stool with arms
Description: Mid back, adjustable lumbar support, standard synchro with seat depth, counter height
Frame Finish: Fog
Color: TBD
Fabric Color/Grade: TBD/3



CH-1a

Manufacturer: Sit on it
Product Name: Novo mid back task chair without arms
Description: Mid back, adjustable lumbar support, standard synchro with seat depth
Frame Finish: Fog
Color: TBD
Fabric Color/Grade: TBD/3

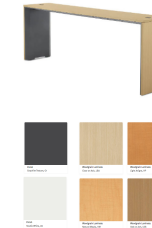


Fog



L-1

Manufacturer: Herman Miller
Product Name: Tu Lateral
Description: 4 drawers & pull out shelf
Dimensions: 20"D x 30"W x 65"H
Finish: TBD



T-1

Manufacturer: Herman Miller
Product Name: Headway Communal Table
Description: Counter height (36" H) with power
Dimensions: 36"D x 120"W
Work Surface Material: Laminate
Base Finish: Studio White 98 or Graphite Texture G1

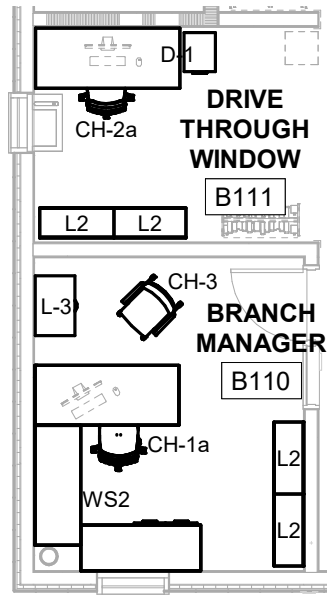
WS1

Manufacturer: Herman Miller
Product Name: Canvas office system
Description: Fixed L-shaped station with fabric screen; upper cabinet storage, base cabinet storage, no monitor bracket
Dimensions: 24"D x 90"W & 30"D x 78"W
Finishes: TBD



WS1a

Manufacturer: Herman Miller
Product Name: Canvas office system
Description: Fixed L-shaped station with fabric screen; upper cabinet storage, base cabinet storage (2 drawer + 1 file drawer), no monitor bracket
Dimensions: 30"D x 90"W & 30"D x 78"W
Finishes: TBD



CH-1a

Manufacturer: Sit on it
Product Name: Novo mid back task chair without arms
Description: Mid back, adjustable lumbar support, standard synchro with seat depth
Frame Finish: Fog
Color: TBD
Fabric Color/Grade: TBD/3



CH-2a

Manufacturer: Sit on it
Product Name: Novo mid back task stool without arms
Description: Mid back, adjustable lumbar support, standard synchro with seat depth
Frame Finish: Fog
Color: TBD
Fabric Color/Grade: ?/3



CH-3

Manufacturer: Sit On It
Product Name: Focus side chair with casters
Description: Metal leg, upholstered back & seat
Frame Finish: Fog
Fabric Color: TBD
Dimensions: 26"D x 20.5"W x 32.5"H x 18"SH



D-1

Manufacturer: Herman Miller
Product Name: Canvas desk
Description: Fixed height desk. Mobile box/file with cushion. No monitor bracket
Dimensions: 30"D x 60"W
Color: TBD



L-2

Manufacturer: Herman Miller
Product Name: Tu Bookcase
Description: 5 Shelves
Dimensions: 15"D x 36"W x 64"H
Color: White

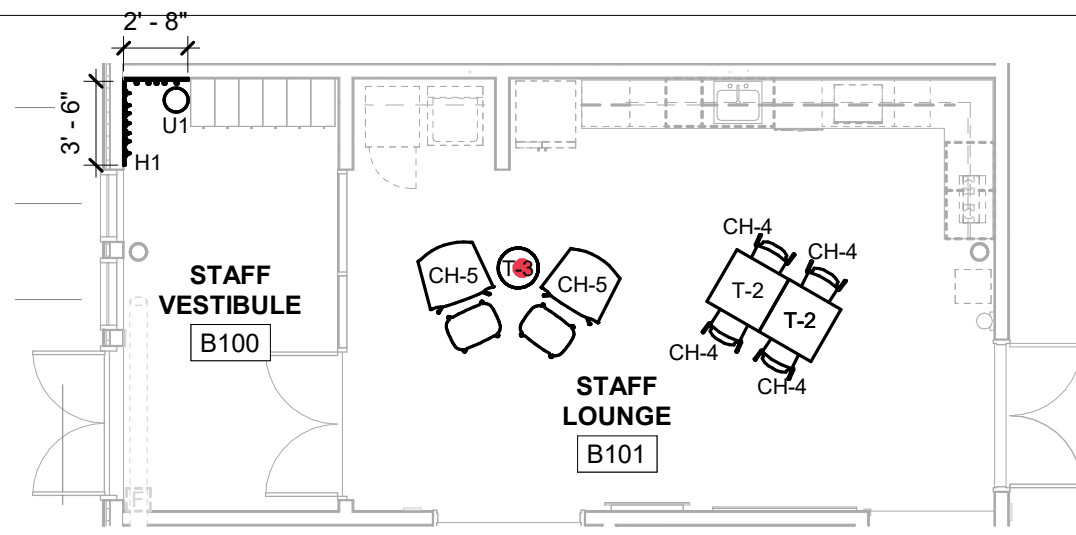


L-3

Manufacturer: Herman Miller
Product Name: Tu Bookcase
Description: 2 drawer lateral file with seat pad
Dimensions: 19"D x 36"W x 26"H
Color: White
Fabric: TBD

WS2

Manufacturer: Herman Miller
Product Name: Canvas office system
Description: U-shaped desk with modesty panel; 2 upper cabinets; 2 base cabinet storage, no monitor bracket
Dimensions: 60"W & 24"D, 60"W x 24"D, & 30"D x 72"W
Finishes: TBD



CH-4

Manufacturer: NaughtOne
Product Name: Polly Chair
Description: Metal leg, plastic seat & back
Color: TBD
Leg Finish: Steel 4 Leg RAL Powder coated

CH-5

Manufacturer: Herman Miller
Product Name: Swoop lounge + ottoman
Description: Plywood back
Color: TBD

H1

Manufacturer: Magnuson Group
Product Name: Villa Series interior mitered corners
Description: Coat rack
Color: Medium grey
Dimension: Length as shown on floor plan



T-2

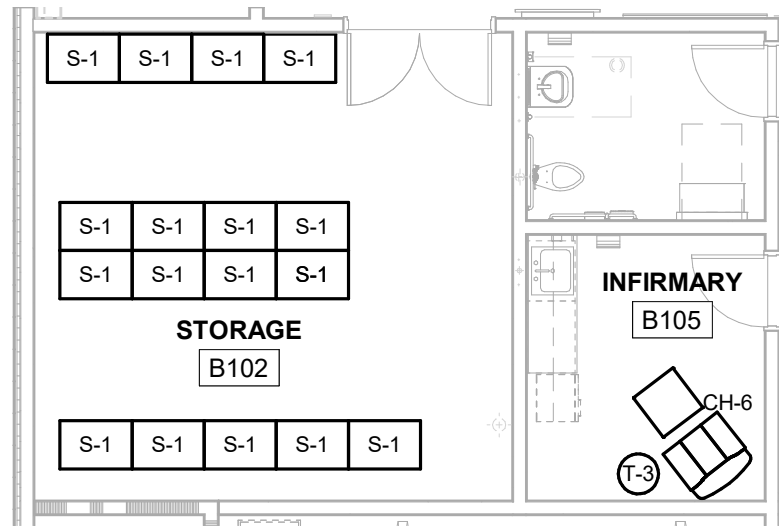
Manufacturer: Knoll
Product Name: Dividends Horizon X
Description: Cafe Table
Color: TBD
Dimensions: 36" D x 36" W x 28.5" H

T-3

Manufacturer: Carolina
Product Name: X&O
Description: Drum table with PS-92W data/power
Color: TBD
Dimensions: 20"Diam x 20"H

U1

Manufacturer: Peter Pepper Products
Product Name: Model 224U
Description: Umbrella Stand with square perforations
Color: Gray
Dimensions: 10"D x 19"H



T-3

Manufacturer: Carolina
Product Name: X&O
Description: Drum table with PS-92W data/power
Color: TBD
Dimensions: 20"Diam x 20"H



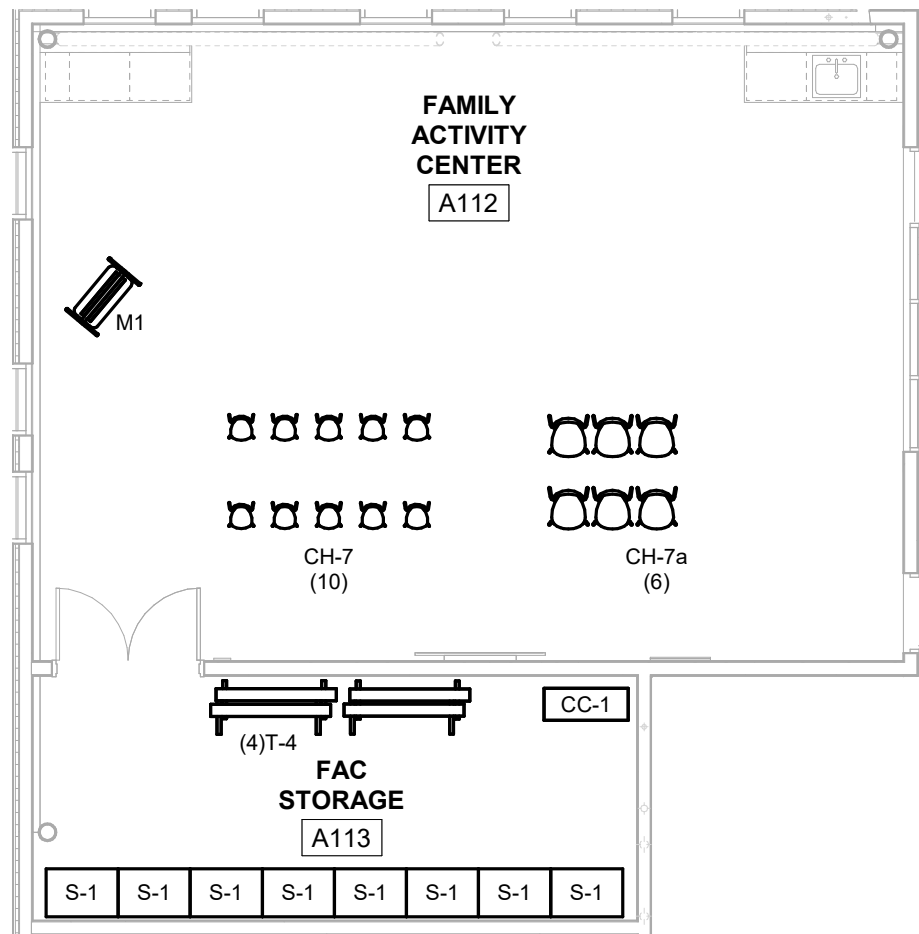
CH-6

Manufacturer: Herman Miller
Product Name: Swoop
Description: Swoop Club with Ottoman
Fabric Color: TBD

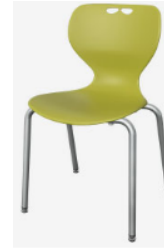


S-1

Manufacturer: Safco
Product Name: Commercial Shelving
Description: Commercial 5 shelf kit 6267 adjust in one inch increments
Finish: Steel
Dimensions: 24"D x 36"W x 75"H



CC-1
Manufacturer: Mien
Description: Chair Cart
Stacking Limit: 8 per trolley



CH-7
Manufacturer: Mien
Product Name: FLL 4 Leg
Description: Stacking chair, armless, plastic seat & back.
Dimensions: Seat height 12.2"
Color: 1 color from manufacturer standards (Bright color)



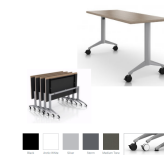
CH-7a
Manufacturer: Mien
Product Name: FLL 4 Leg
Description: Stacking chair, armless, plastic seat & back.
Dimensions: Seat height 18"
Color: 1 color from manufacturer standards (Complementary color to CH-7)



M1
Manufacturer: Knoll
Product Name: Scribe
Description: Mobile marker board with tray & cup
Dimensions: 24"-36" W
 Narrow & tall

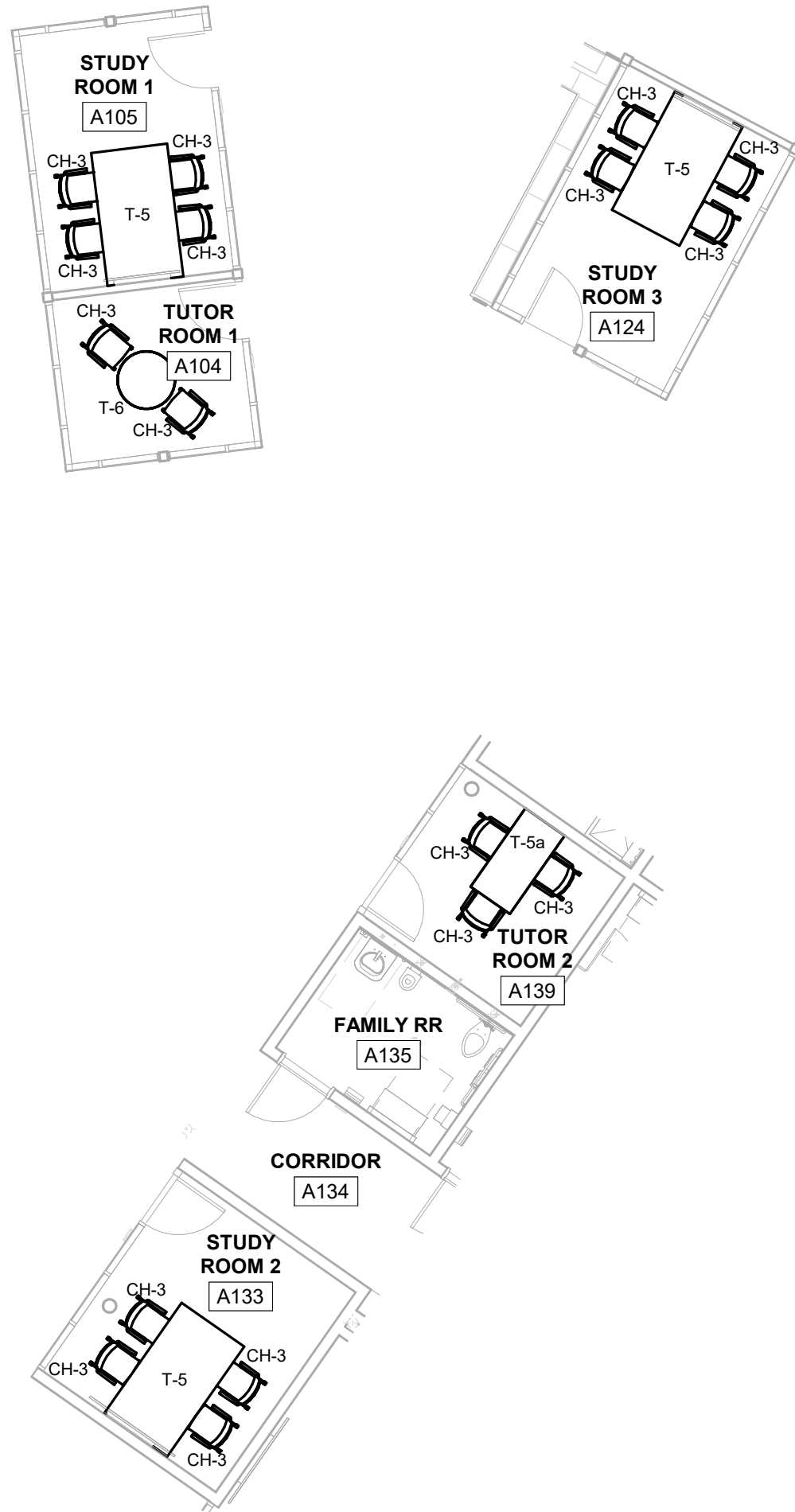


S-1
Manufacturer: Safco
Product Name: Commercial Shelving
Description: Commercial 5 shelf kit 6267
Finish: Steel
Dimensions: 24"D x 36"W x 75"H



T-4
Manufacturer: Enwork
Product Name: Zori Flip nest table
Description: Collapsible for easy storage
Dimensions: 18"D x 60"W x 22"H (K-12)
Finish: White





CH-3

Manufacturer: Sit On It
Product Name: Focus side chair with casters
Description: Metal leg, upholstered back & seat

Frame Finish: Fog
Fabric Color: TBD
Dimensions: 26"D x 20.5"W x 32.5"H x 18"SH



T-5

Manufacturer: VERSTEEL
Product Name: Eliga
Description: Rectangle fixed table, four-leg post with power

Dimensions: 48"D x 84"W x 29"H
Finishes: TBD



T-5a

Manufacturer: VERSTEEL
Product Name: Eliga
Description: Rectangle fixed table, four-leg post with power

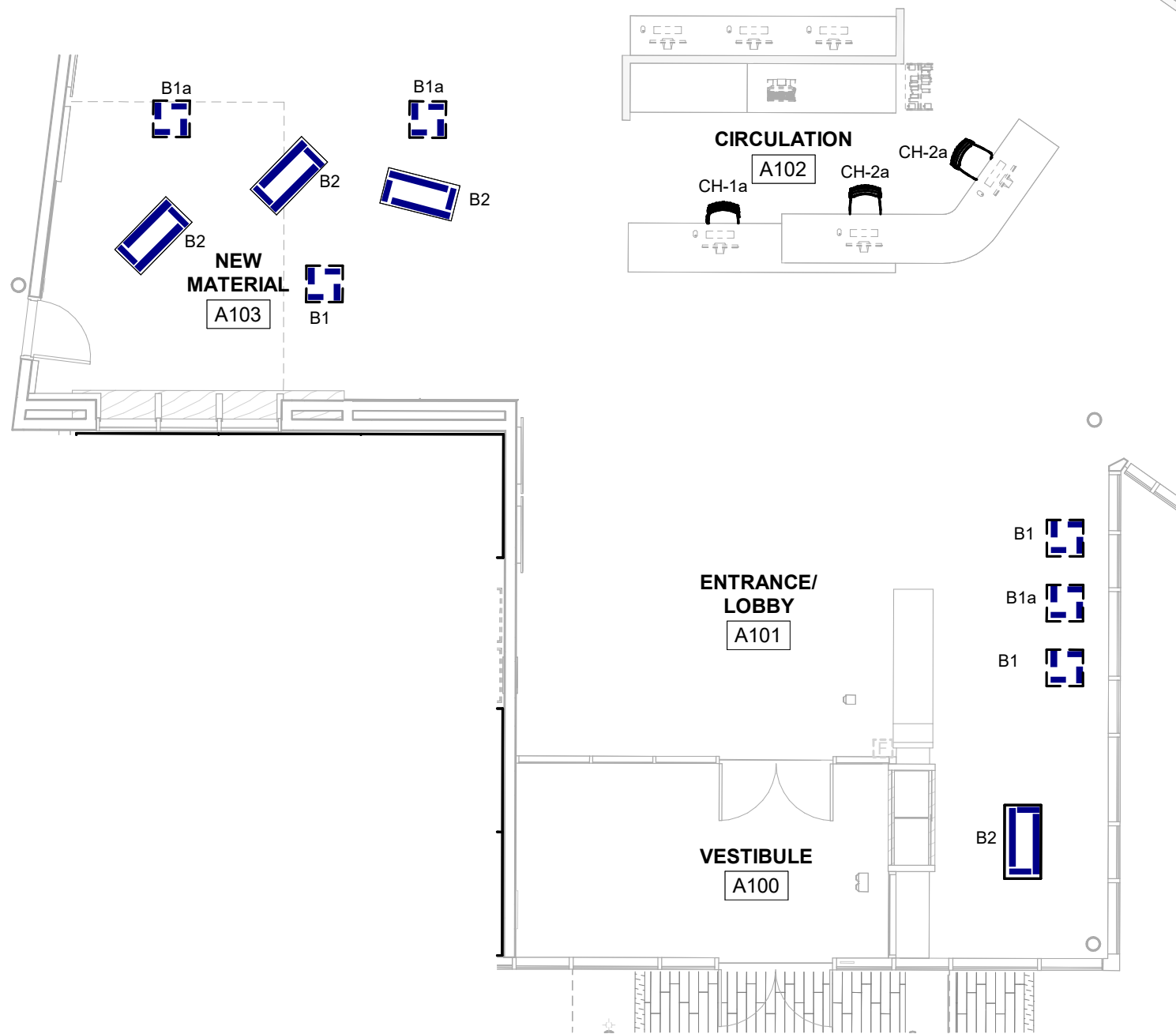
Dimensions: 30"W x 60"L x 29"H
Finishes: Wilsonart Satin Stainless



T-6

Manufacturer: OFS
Product Name: Nineteen20
Description: Seated height, spun base, laminate top

Dimensions: 36"Diam



B1
Manufacturer: BCI
Product Name: Mobile book display tower
Description: 12 openings
Dimensions: 23"D x 23"W x 43"H approx.
Color: TBD



B1a
Manufacturer: BCI
Product Name: Mobile book display tower
Description: 12 openings
Dimensions: 23"D x 23"W x 69"
Color: TBD



B2
Manufacturer: BCI
Product Name: Mobile book display tower
Description: 12 openings
Dimensions: 23"D x 46.5"W x 44"H approx.
Color: TBD

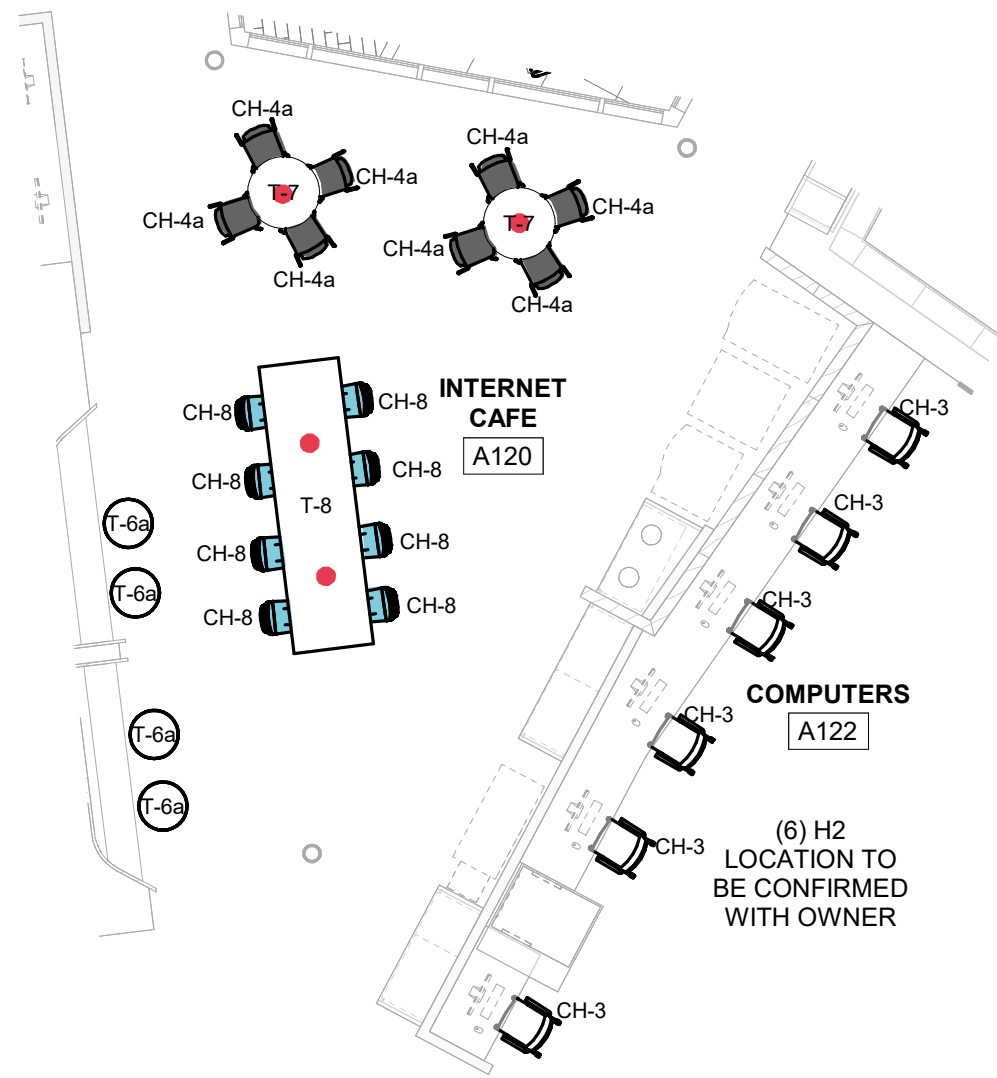


CH-1a
Manufacturer: Sit on it
Product Name: Novo mid back task chair without arms
Description: Mid back, adjustable lumbar support, standard synchro with seat depth
Finish: Fog
Color: TBD

Fog



CH-2a
Manufacturer: Sit on it
Product Name: Novo mid back task stool without arms
Description: Mid back, adjustable lumbar support, standard synchro with seat depth
Finish: Fog frame
Color: TBD



CH-3

Manufacturer: Sit On It
Product Name: Focus side chair with casters
Description: Metal leg, upholstered back & seat
Frame Finish: Fog
Fabric Color: TBD
Dimensions: 26"D x 20.5"W x 32.5"H x 18"SH



CH-4a

Manufacturer: Naughtone
Product Name: Polly Chair
Description: Metal leg, plastic seat & back
Color: Black



H2

Manufacturer: Herman Miller
Product Name: Ubi Bag Hook
Description: Under Counter Bag Hook
Finish: White
Dimensions: 26"D x 20.5"W x 32.5"H x 18"SH



CH-8

Manufacturer: NaughtOne
Product Name: Polly Stool
Description: Plastic chair, 4 leg, bar height
Color: Pastel Blue



T-6a

Manufacturer: OFS
Product Name: Nineteen20
Description: Seated height, spun base, laminate top
Dimensions: 24"Diam



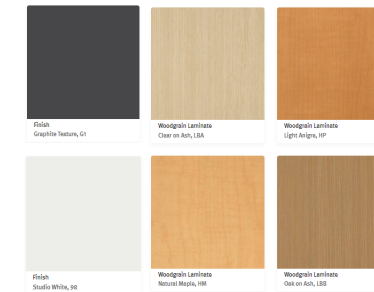
T-7

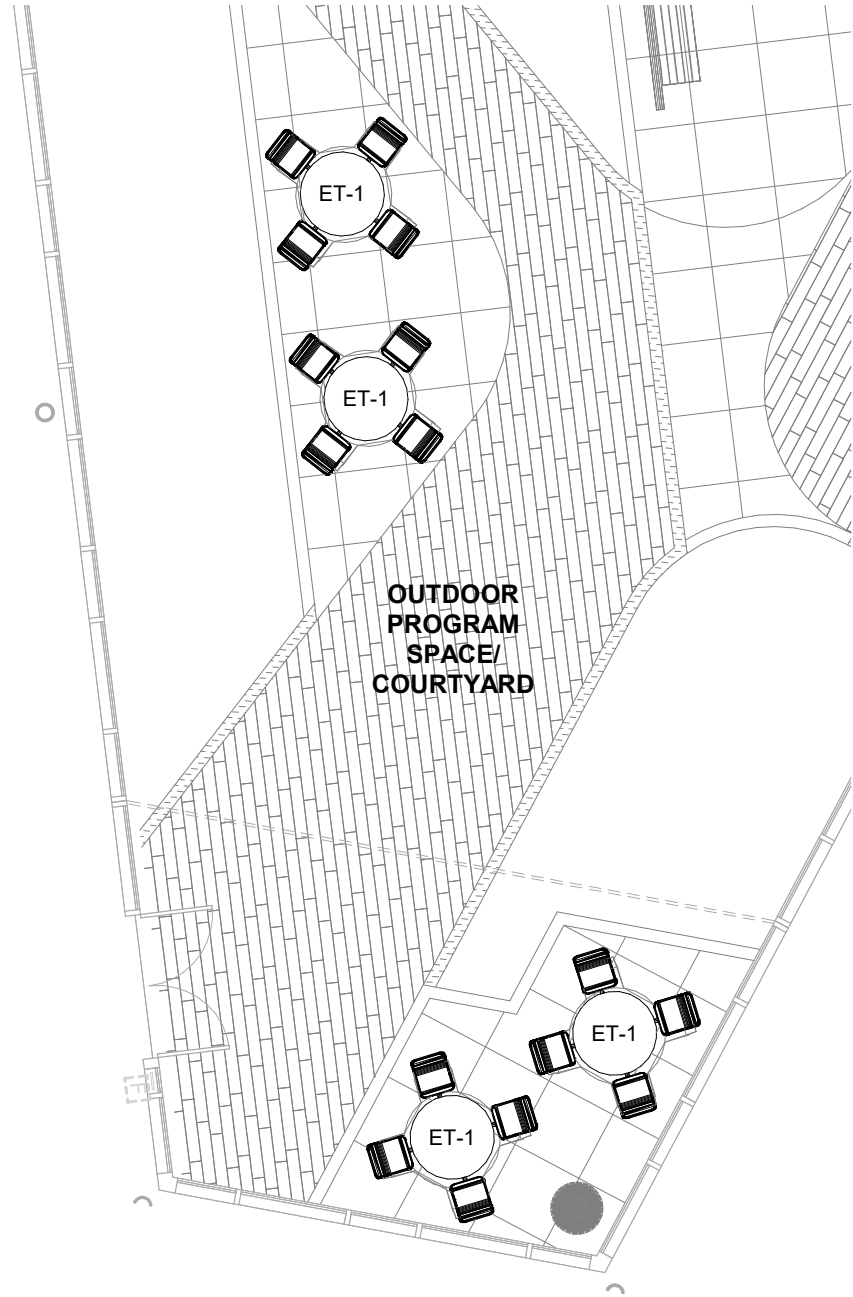
Manufacturer: Herman Miller
Product Name: Eames table
Description: Contract base, round, table height with power
Dimensions: 48"Diam.



T-8

Manufacturer: Herman Miller
Product Name: Headway
Description: Bar-height table with power
Dimensions: 42"D x 120"W
Finish: TBD





ET-1

Manufacturer: Landscape Forms

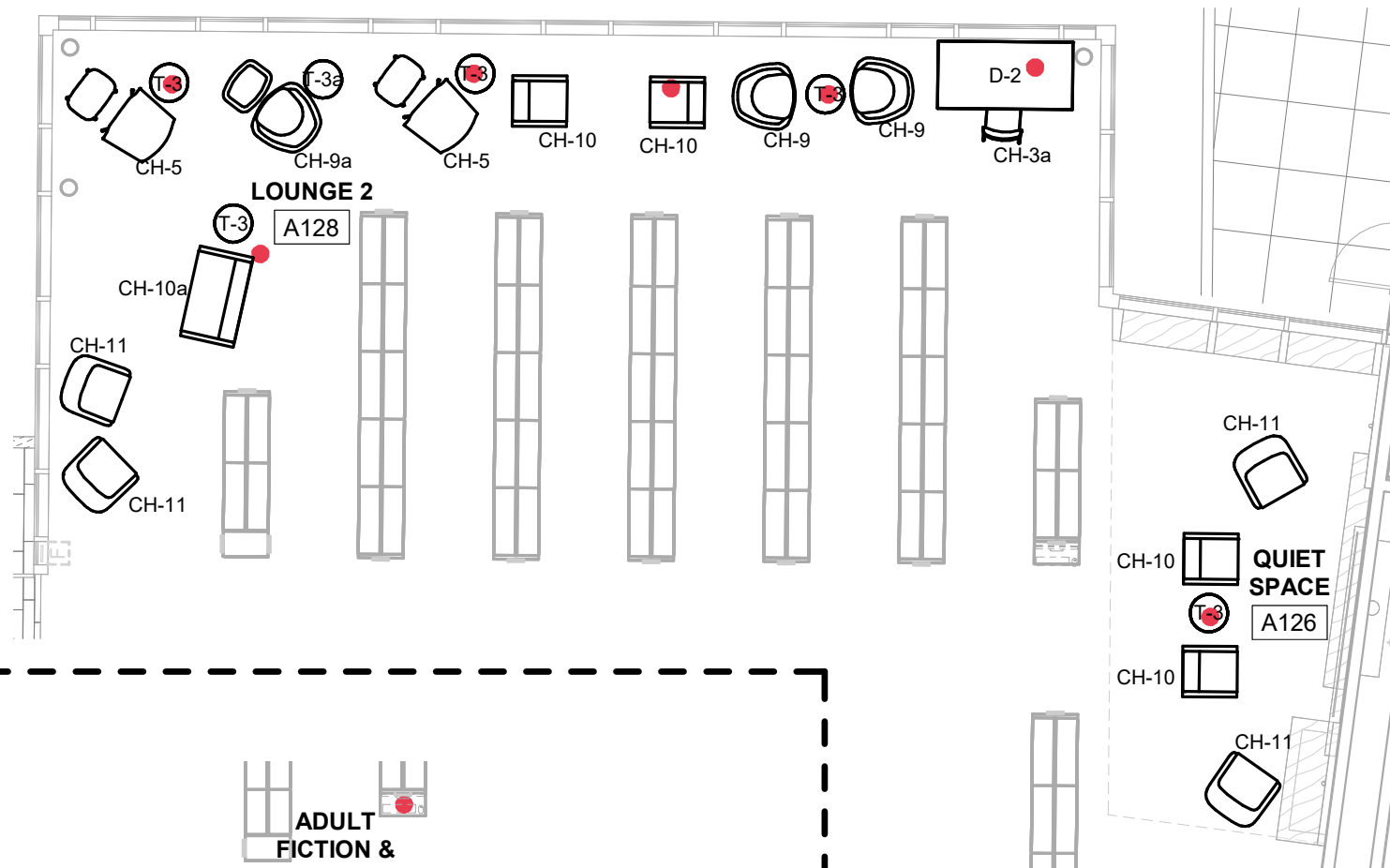
Product Name: Carousel Table with Fixed Seating

Description: Dining height with 4 seats backed. "Backed Perforated" chairs. Surface mount. No umbrella hole.

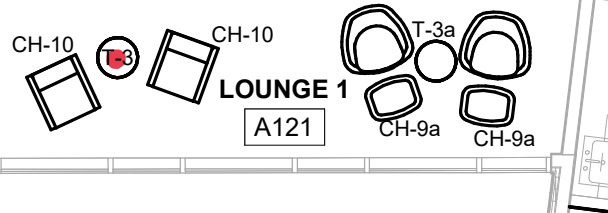
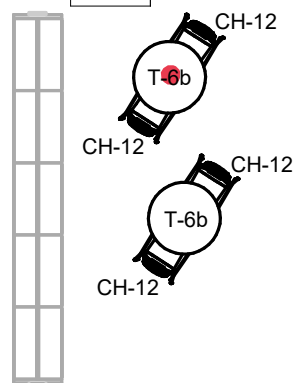
Top Finish: Circular Ipe Wood

Frame Finish: Metallic Silver powdercoat

Dimensions: 28.5" table height



ADULT
FICTION &
ADULT
MEDIA
A123



LOUNGE 2

QUIET
SPACE
A126

CH-3a

Manufacturer: Sit On It
Product Name: Focus side chair with casters
Description: Metal leg, upholstered back & seat, armless
Frame Finish: Black
Fabric Color: TBD
Dimensions: 26"D x 20.5"W x 32.5"H x 18"SH



CH-5

Manufacturer: Herman Miller
Product Name: Swoop Lounge + ottoman
Description: Plywood back
Color: TBD



CH-9

Manufacturer: Hay
Product Name: About a Lounge
Description: Wood legs, high back
Color: TBD



CH-9a

Manufacturer: Hay
Product Name: About a Lounge and ottoman
Description: Wood legs, high back
Color: TBD



CH-10

Manufacturer: OFS
Product Name: Dess - Lounge Chair
Description: Wood legs, and power
Color: TBD



CH-10a

Manufacturer: OFS
Product Name: Dess - Lounge Love Seat
Description: Wood legs, and power
Color: TBD



CH-11

Manufacturer: Kellex
Product Name: Ophelia Glider
Description: Glider with concealed base
Color: TBD



CH-12

Manufacturer: NaughtOne
Product Name: Polly Stool Counter Height
Description: Plastic chair, 4 leg, counter height, metal legs
Dimensions: 22.5" W x 20" D x 40" H
SH 26"
Color: TBD



D-2

Manufacturer: Herman Miller
Product Name: Canvas Vista
Description: Fixed leg with screen & power. Table height.
(1 outlet, USB A&C)
Dimensions: 30"D x 60"W



T-3

Manufacturer: Carolina
Product Name: X&O
Description: Drum table with PS-92W data/power
Color: TBD
Dimensions: 20"Diam x 20"H



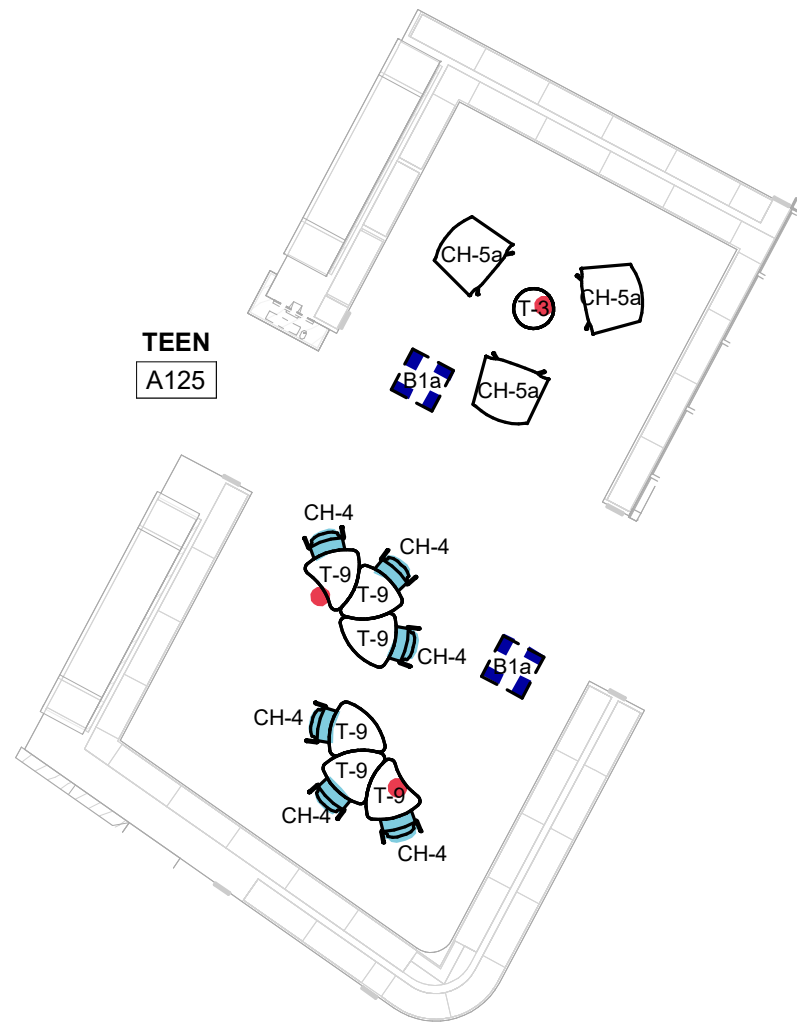
T-3a

Manufacturer: Carolina
Product Name: X&O
Description: Drum table
Color: TBD
Dimensions: 20"Diam x 20"H



T-6b

Manufacturer: OFS
Product Name: Nineteen20
Description: Counter height, spun base, laminate top
Dimensions: 36"Diam



B1a
Manufacturer: BCI
Product Name: Mobile book display tower
Description: 12 openings
Dimensions: 23"D x 23"W x 43"H approx.
Color: TBD



CH-4
Manufacturer: NaughtOne
Product Name: Polly Chair
Description: Metal leg, plastic seat & back
Color: Pastel Blue
Leg Finish: Steel 4 Leg RAL Powder coated



CH-5a
Manufacturer: Herman Miller
Product Name: Swoop Lounge
Description: Plywood back
Color: Dark blue
Wood Color: TBD

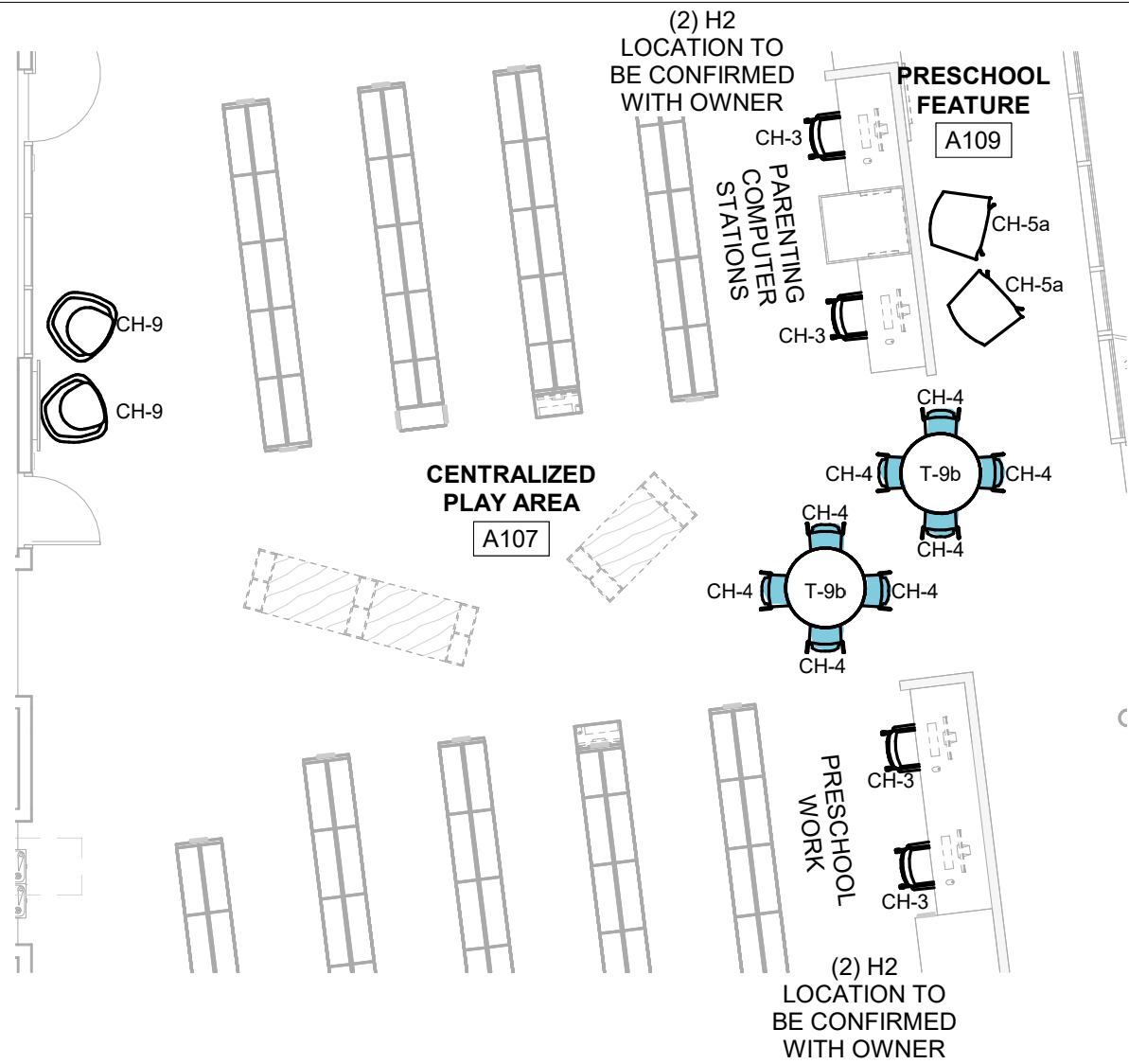


T-3
Manufacturer: Carolina
Product Name: X&O
Description: Drum table with PS-92W data/power
Color: TBD
Dimensions: 20"Diam x 20"H



T-9
Manufacturer: Media Tech.
Product Name: Rockfod Pick Table
Description: Laminate with with bumper edge, height adjustable
Color: TBD
Dimensions: Standard adjustable legs 27" x 28" x 22"-34" H





CH-3

Manufacturer: Sit On It
Product Name: Focus side chair with casters
Description: Metal leg, upholstered back & seat
Frame Finish: Fog
Fabric Color: TBD
Dimensions: 26"D x 20.5"W x 32.5"H x 18"SH



CH-4

Manufacturer: NaughtOne
Product Name: Polly Chair
Description: Metal leg, plastic seat & back
Color: TBD
Leg Finish: Steel 4 Leg RAL Powder coated



CH-5

Manufacturer: Herman Miller
Product Name: Swoop Lounge
Description: Plywood back
Color: Gray or dark blue



CH-9

Manufacturer: Hay
Product Name: About a Lounge
Description: Wood legs, high back
Color: TBD



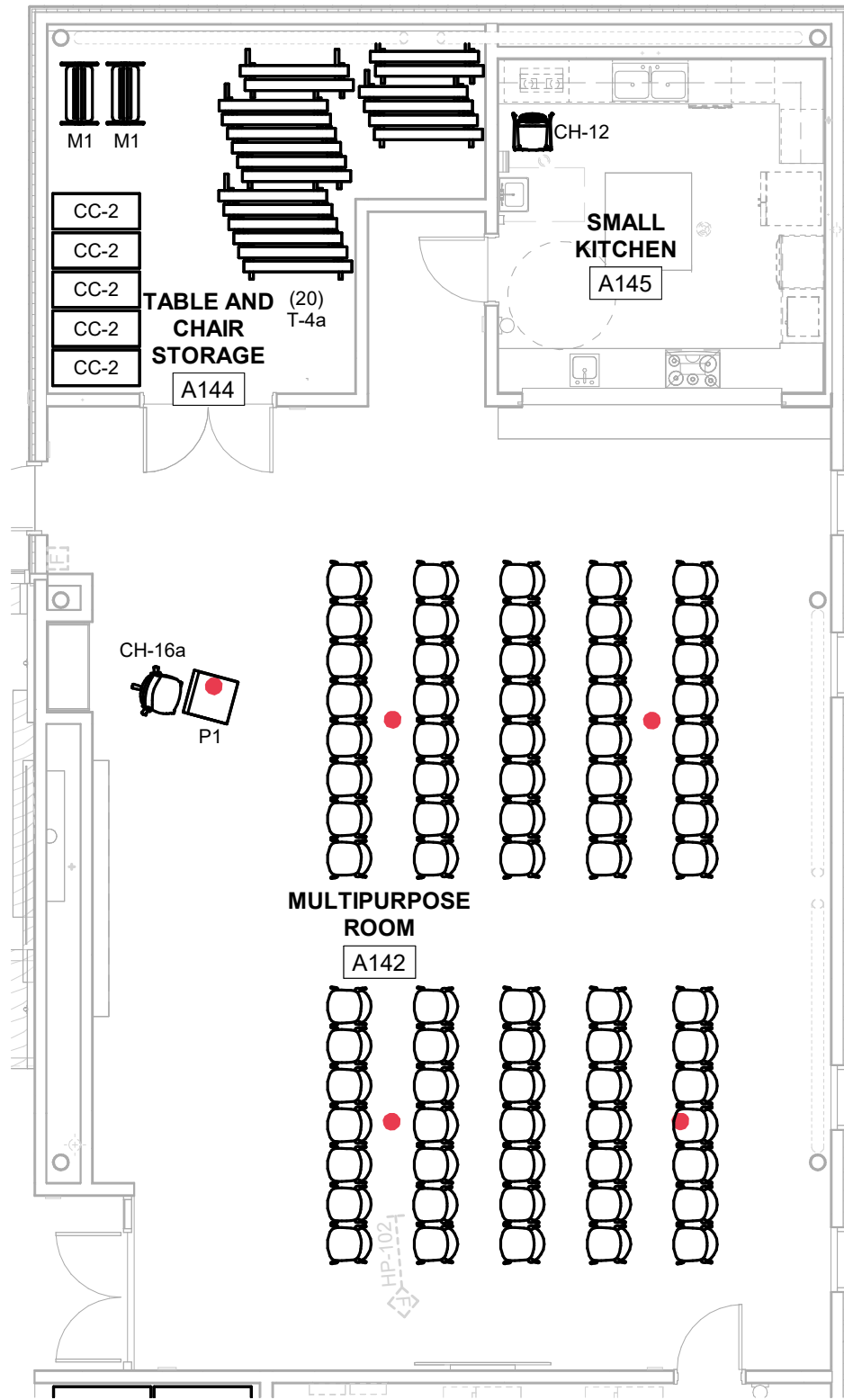
H2

Manufacturer: Herman Miller
Product Name: Ubi Bag Hook
Description: Under Counter Bag Hook
Finish: White
Dimensions: 26"D x 20.5"W x 32.5"H x 18"SH



T-9b

Manufacturer: Media Technologies
Product Name: Bola Table
Description: Stainless steel legs with laminate top, molded nylon ball glides
Dimensions: 36" Diam. 29" H



CH-12

Manufacturer: NaughtOne
Product Name: Polly Stool Counter Height
Description: Plastic chair, 4 leg, counter height, metal legs
Dimensions: 22.5" W x 20" D x 40" H
Color: TBD



CH-16a

Manufacturer: Knoll
Product Name: MultiGeneration High Task
Description: Star base, without arms, upholstered seat pad, caster. Seat Height adjustable 22.7" - 33"H adjustable
Finishes: Base, plastic, and fabric TBD



CH-17

Manufacturer: Flash Furniture
Product Name: Hercules
Description: Stacking, plastic seat & back, armless
Dimensions: 19" W x 21" D x 32" H
Color: TBD



CC-2

Manufacturer: Comfortek
Product Name: SW30
Description: Chair dolly for CH-17 chairs
Stacking Limit: 15-18 Chairs (5 dollies)



M1

Manufacturer: Knoll
Product Name: Scribe
Description: Mobile markerboard with tray & cup
Dimensions: 48"W



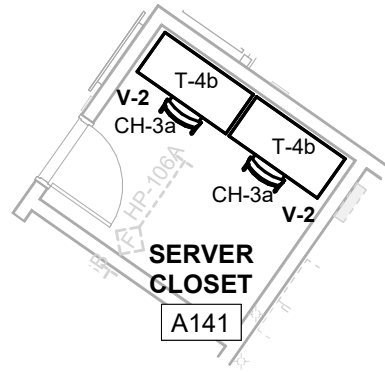
P1

Manufacturer: OFS
Product Name: Layer
Description: Lectern podium with power supply with 2 USB ports and 2 power outlets (PS-55). With casters.
Color: TBD



T-4a

Manufacturer: Enwork
Product Name: Zori Flip nest table
Description: Collapsible for easy storage
Dimensions: 18"D x 60"W x 29"H



CH-3a

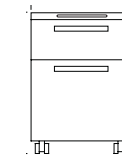
Manufacturer: Sit On It
Product Name: Focus side chair with casters
Description: Metal leg, upholstered back & seat, armless

Frame Finish: Fog
Fabric Color: TBD
Dimensions: 26"D x 20.5"W x 32.5"H x 18"SH



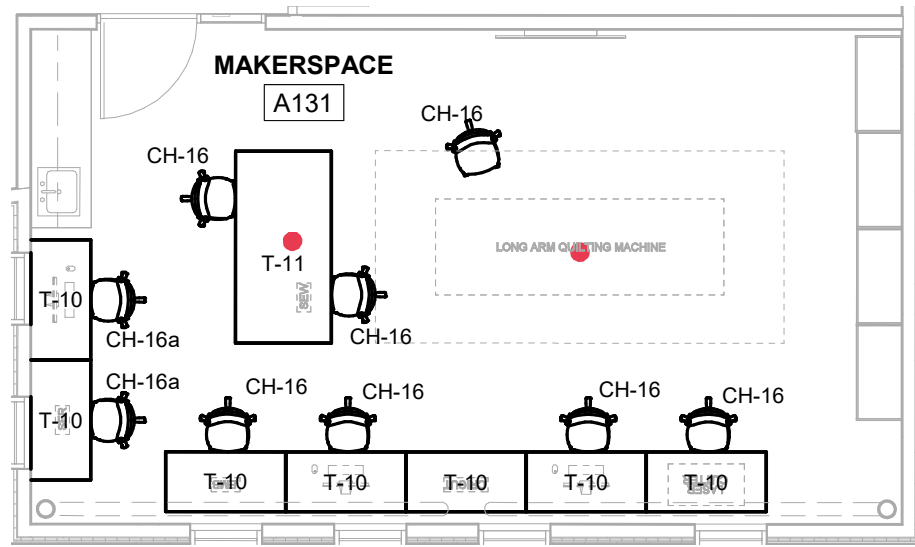
T-4b

Manufacturer: Enwork
Product Name: Zori Flip nest table
Description: Collapsible for easy storage
Dimensions: 24"D x 54"W x 29"H



V-2

Manufacturer: Herman Miller
Product Name: Tu Storage mobile pedestal
Description: 1 drawers and 1 file, bar pull
Dimensions: 19 3/8"D x 14 5/8"W x 21 3/8"H
Finish: TBD



CH-16

Manufacturer: Knoll
Product Name: MultiGeneration Light Task
Description: Star base, without arms, upholstered seat pad, caster. Seat Height adjustable 16.1" - 22.24"H adjustable
Finishes: Base, plastic, and fabric TBD



CH-16a

Manufacturer: Knoll
Product Name: MultiGeneration High Task
Description: Star base, without arms, upholstered seat pad, caster. Seat Height adjustable 22.7" - 33"H adjustable
Finishes: Base, plastic, and fabric TBD



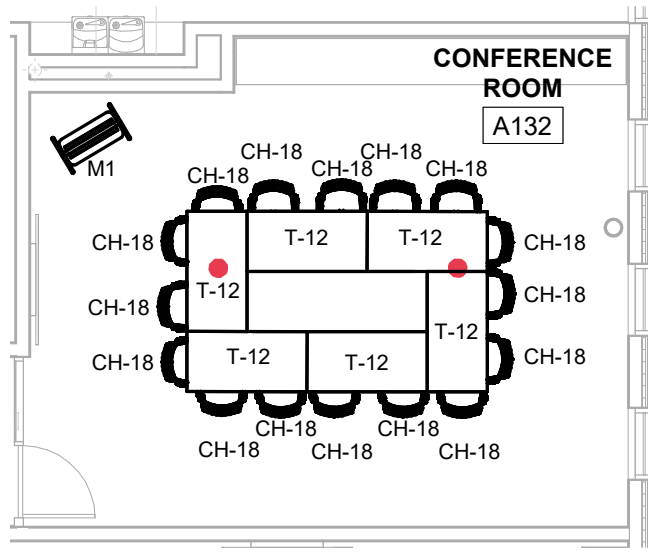
T-10

Manufacturer: Safco
Product Name: Techworks butcher block
Description: Pin high-adjust bench with grommet, manual adjustment
Dimensions: 30"D x 60"W x 26-38"H adjustable
Color: TBD



T-11

Manufacturer: Studio Wise Design
Product Name: Parson Cafe
Description: Butcher block table with power
Dimensions: 48"D x 96"W x 34" H
Color: TBD

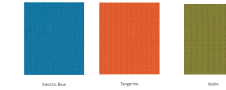


CH-18

Manufacturer: Sit On It
Product Name: Movii Nester
Description: Caster with flip up seat & fabric back

Dimensions: 22.75"D x 23"W x 34.62"H x 18"SH

Color: TBD



M1

Manufacturer: Knoll
Product Name: Scribe
Description: Mobile marker board with tray & cup

Dimensions: 24"-36" W
 Narrow & tall



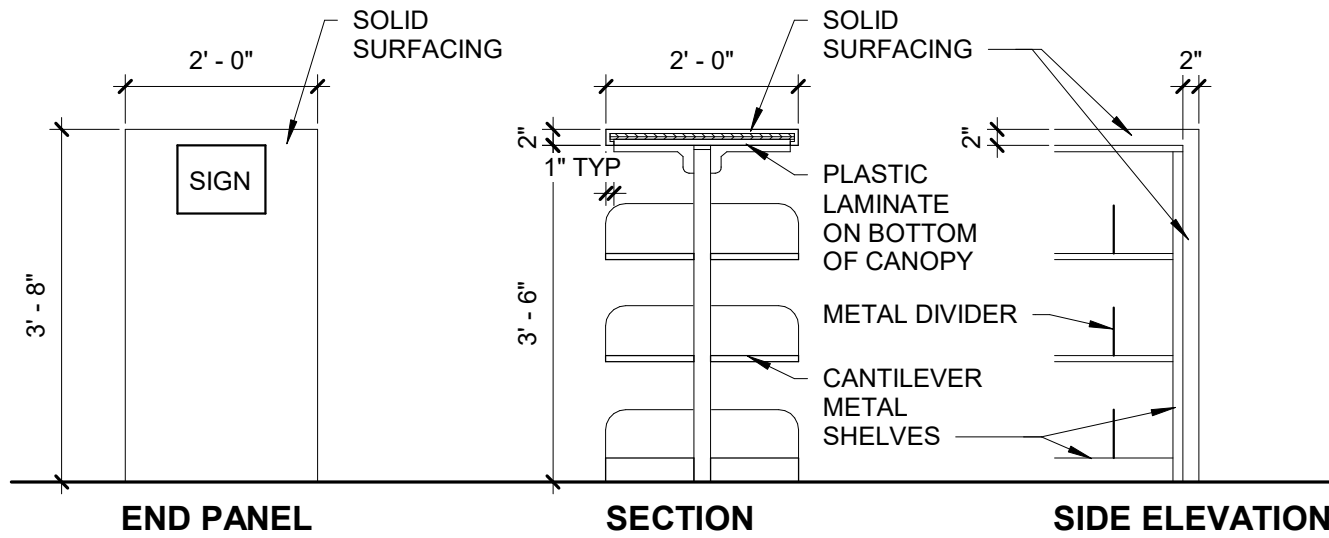
T-12

Manufacturer: Herman Miller
Product Name: OE1
Description: Table with 2 bag hooks & power supply



BS-01

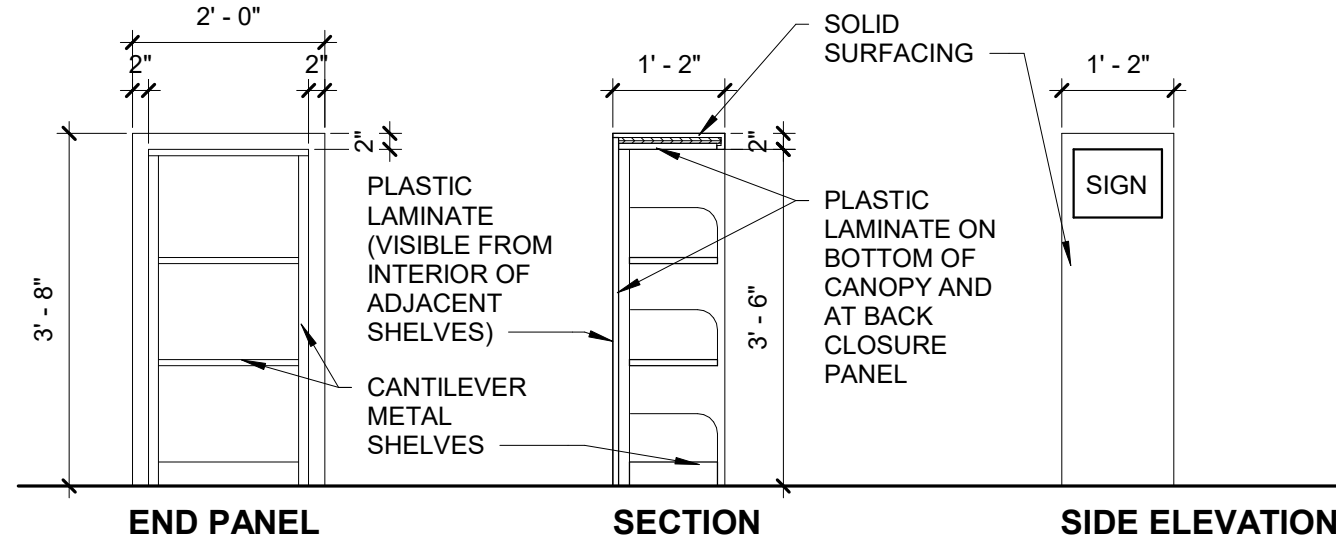
44" HEIGHT



- END PANEL AND CANOPY: 2" THICK SOLID SURFACING (BASIS-OF-DESIGN COLOR: CORIAN DESIGNER WHITE)
- DOUBLE FACE CANTILEVER METAL SHELVING: WELDED UPRIGHT FRAME; BASE SUPPORT, LEVELER KITS (COLOR: WHITE)
- INCLUDE TWO METAL DIVIDERS PER METAL SHELF (TOTAL OF SIX PER EACH 3' +/- BOOKSTACK ASSEMBLY)

BS-02

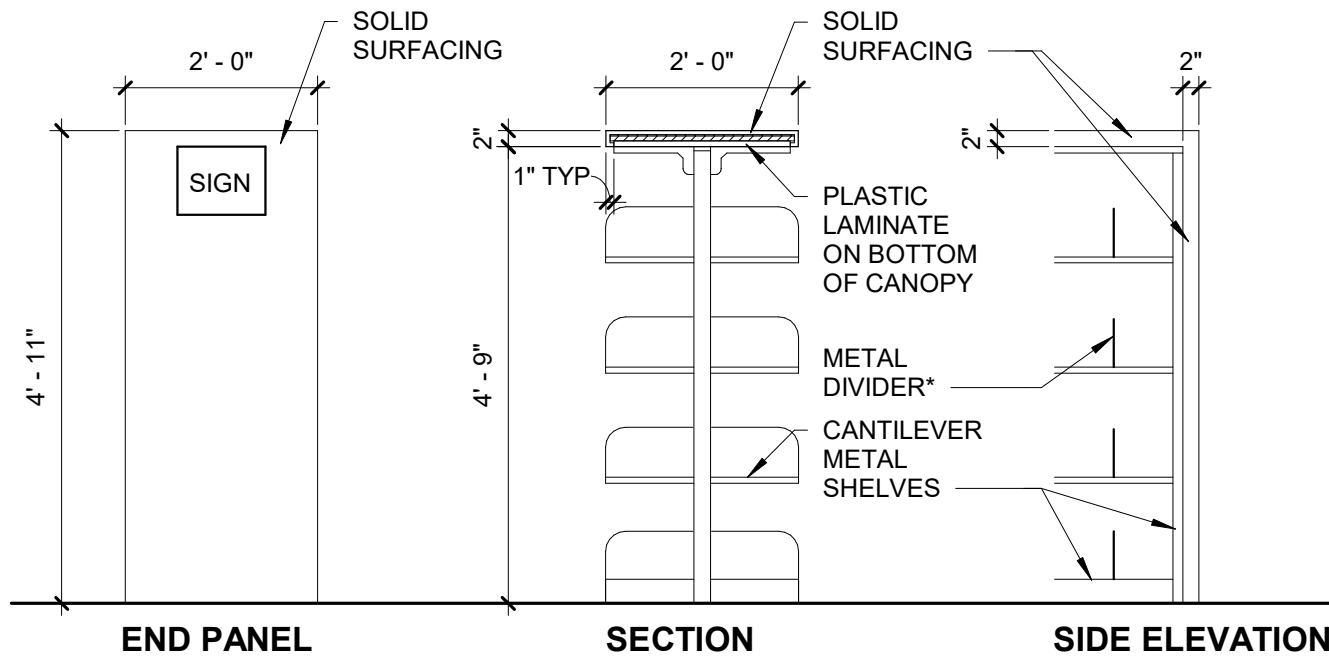
44" HEIGHT (POPULAR BOOKS END SHELVES)



- END PANEL AND CANOPY: 2" THICK SOLID SURFACING (BASIS-OF-DESIGN COLOR: CORIAN DESIGNER WHITE)
- SINGLE FACE CANTILEVER METAL SHELVING: WELDED UPRIGHT FRAME; BASE SUPPORT, LEVELER KITS (COLOR: WHITE)
- PLASTIC LAMINATE BACK CLOSURE PANEL (BASIS-OF-DESIGN COLOR: FORMICA 949-58 WHITE)

BS-01a & BS-01b

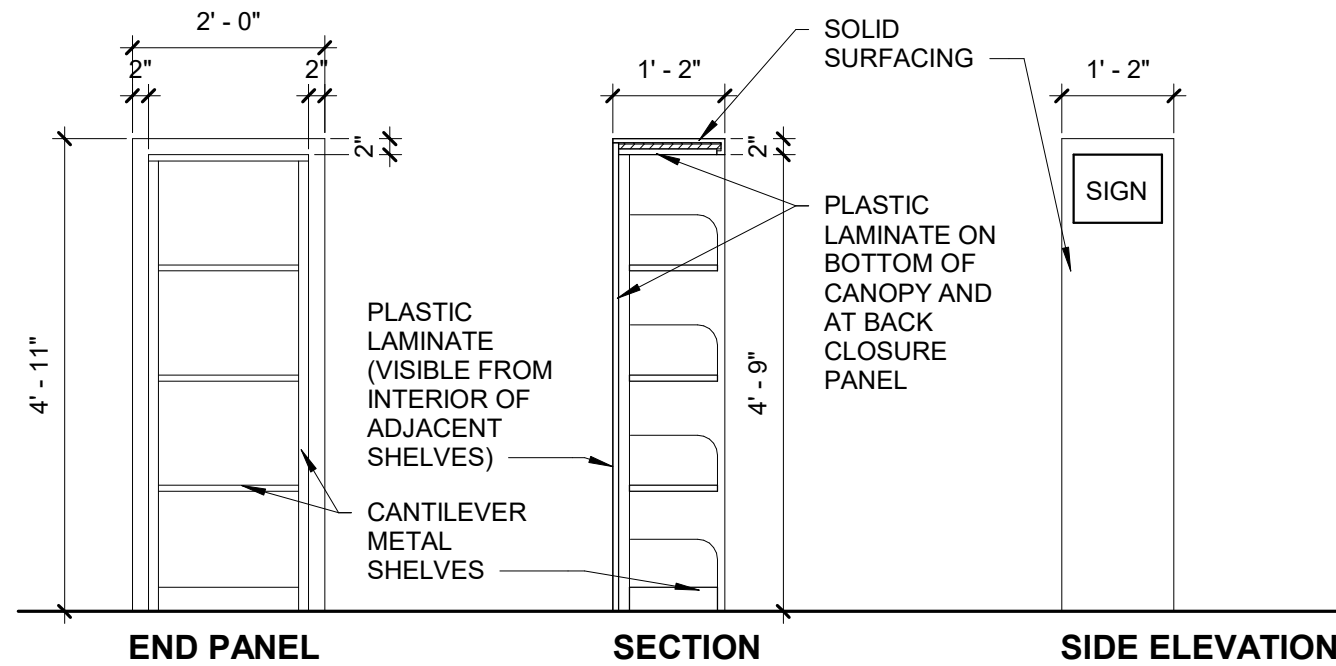
59" HEIGHT



- END PANEL AND CANOPY: 2" THICK SOLID SURFACING (BASIS-OF-DESIGN COLOR: CORIAN DESIGNER WHITE)
- DOUBLE FACE CANTILEVER METAL SHELVING: WELDED UPRIGHT FRAME; BASE SUPPORT, LEVELER KITS (COLOR: WHITE)
- * BS-01a DOES NOT INCLUDE METAL DIVIDERS
- * BS-01b TO INCLUDE TWO METAL DIVIDERS PER METAL SHELF (TOTAL OF EIGHT PER EACH 3' +/- BOOKSTACK ASSEMBLY)

BS-02a

59" HEIGHT (POPULAR BOOKS END SHELVES)



- END PANEL AND CANOPY: 2" THICK SOLID SURFACING (BASIS-OF-DESIGN COLOR: CORIAN DESIGNER WHITE)
- SINGLE FACE CANTILEVER METAL SHELVING: WELDED UPRIGHT FRAME; BASE SUPPORT, LEVELER KITS (COLOR: WHITE)
- PLASTIC LAMINATE BACK CLOSURE PANEL (BASIS-OF-DESIGN COLOR: FORMICA 949-58 WHITE)

4/26/2024

The Drawing and the Design shown hereon are the property of Omni Architects. The reproduction, copying or other use of this Drawing or design without the written consent of Omni Architects is prohibited.

BOONE COUNTY PUBLIC LIBRARY - WALTON BRANCH
SHELVING DRAWINGS

212 North Upper Street
Lexington, Kentucky 40507
P. 859.252.6664
www.omniarchitects.com

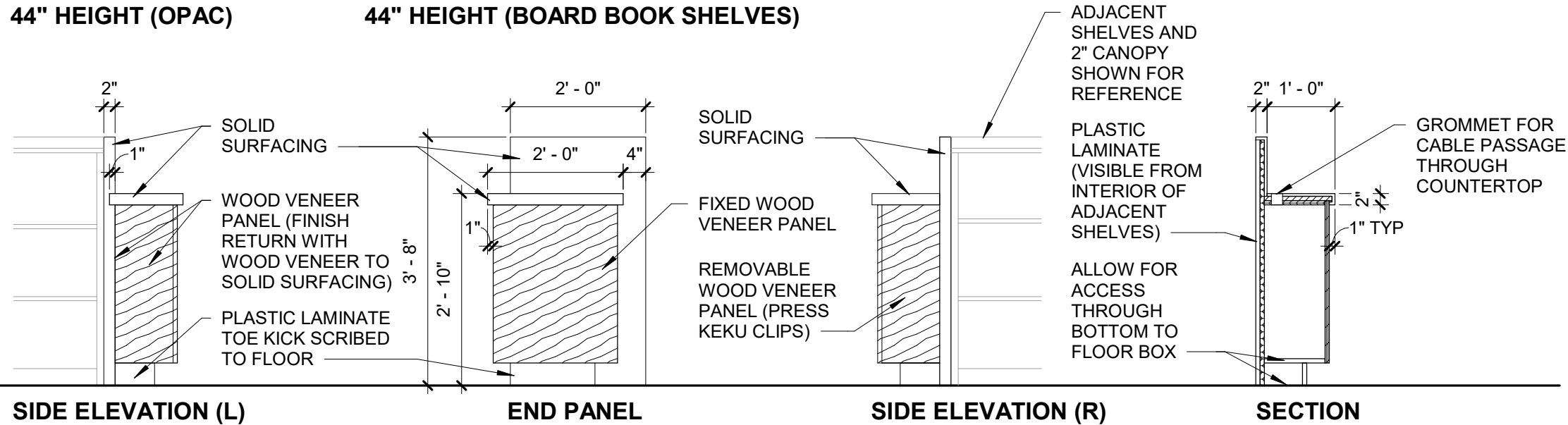


A-12.19

BS-03

44" HEIGHT (OPAC)

44" HEIGHT (BOARD BOOK SHELVES)



SIDE ELEVATION (L)

END PANEL

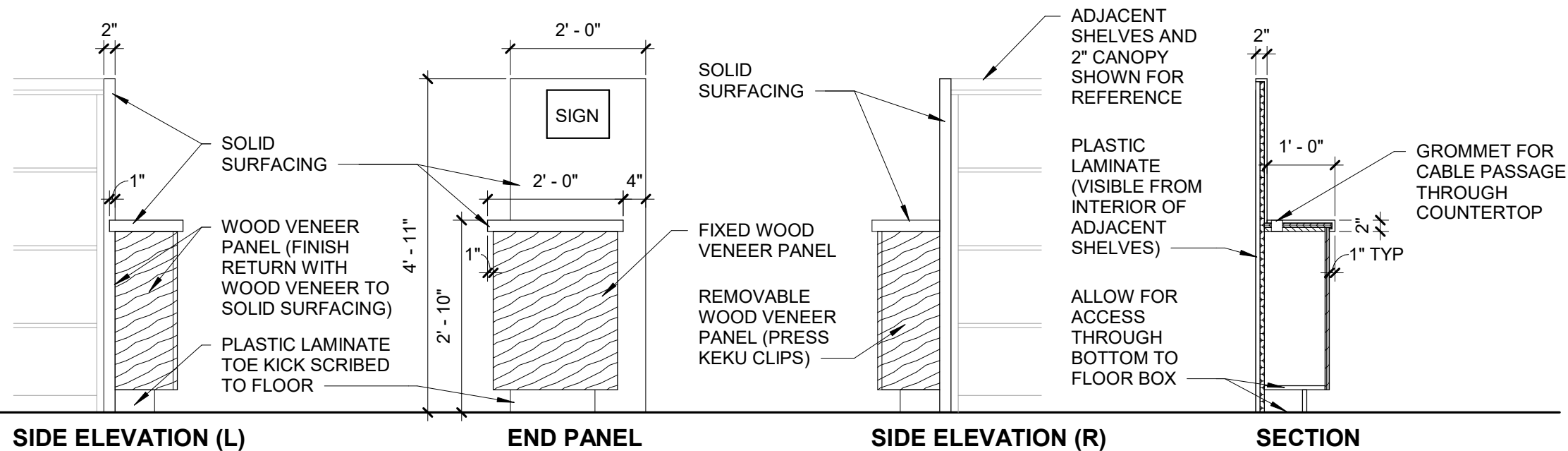
SIDE ELEVATION (R)

SECTION

- END PANEL AND COUNTERTOP: 2" THICK SOLID SURFACING (BASIS-OF-DESIGN COLOR: CORIAN DESIGNER WHITE)
- WOOD VENEER (RED OAK, CLEAR FINISH, NATURAL GRAIN) WITH 1/4" HARDWOOD TRIM AT EDGES TO MATCH ARCHITECT SAMPLE
- PLASTIC LAMINATE TOE KICK (COLOR: TBD)
- GROMMET WITH BRUSH OR SLOT FOR WIRE PASSAGE (COLOR: SATIN CHROME)

BS-03a

59" HEIGHT (OPAC)



SIDE ELEVATION (L)

END PANEL

SIDE ELEVATION (R)

SECTION

- END PANEL AND COUNTERTOP: 2" THICK SOLID SURFACING (BASIS-OF-DESIGN COLOR: CORIAN DESIGNER WHITE)
- WOOD VENEER (RED OAK, CLEAR FINISH, NATURAL GRAIN) WITH 1/4" HARDWOOD TRIM AT EDGES TO MATCH ARCHITECT SAMPLE
- PLASTIC LAMINATE TOE KICK (COLOR: TBD)

4/26/2024

The Drawing and the Design shown thereon are the property of Omni Architects. The reproduction, copying or other use of this Drawing or design without the written consent of Omni Architects is prohibited.

BOONE COUNTY PUBLIC LIBRARY - WALTON BRANCH
SHELVING DRAWINGS

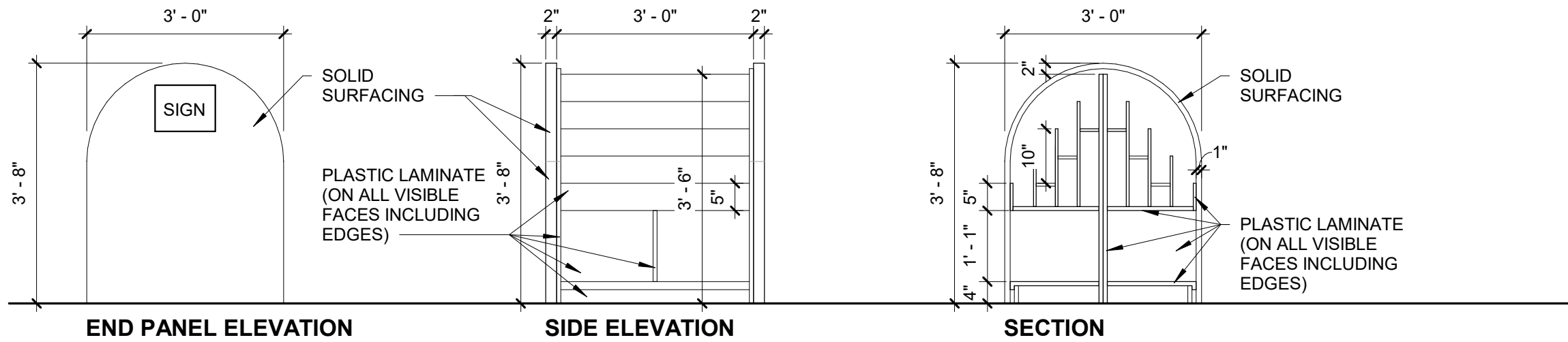
212 North Upper Street
Lexington, Kentucky 40507
P. 859.252.6664
www.omniarchitects.com



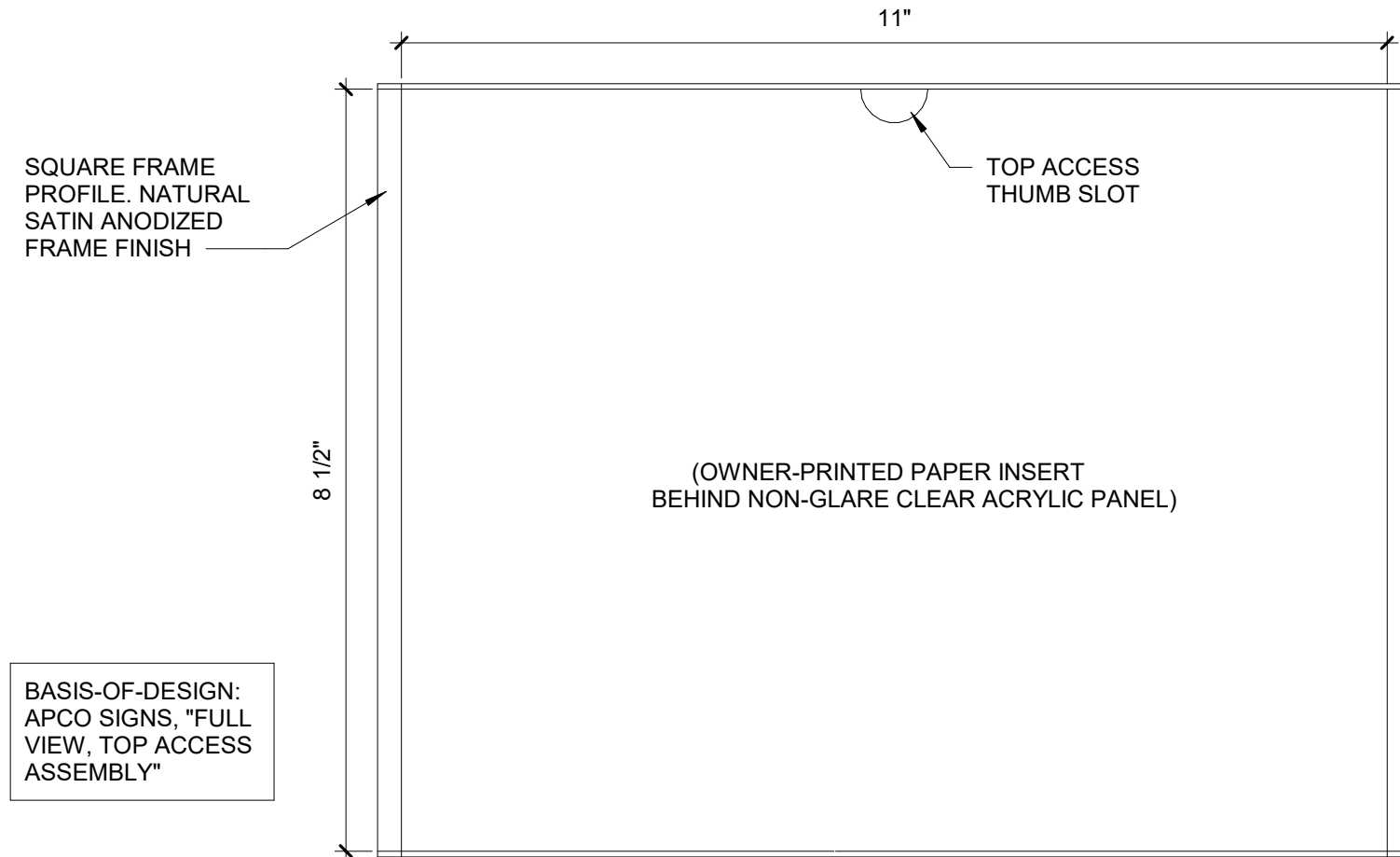
A-12.20

BS-04

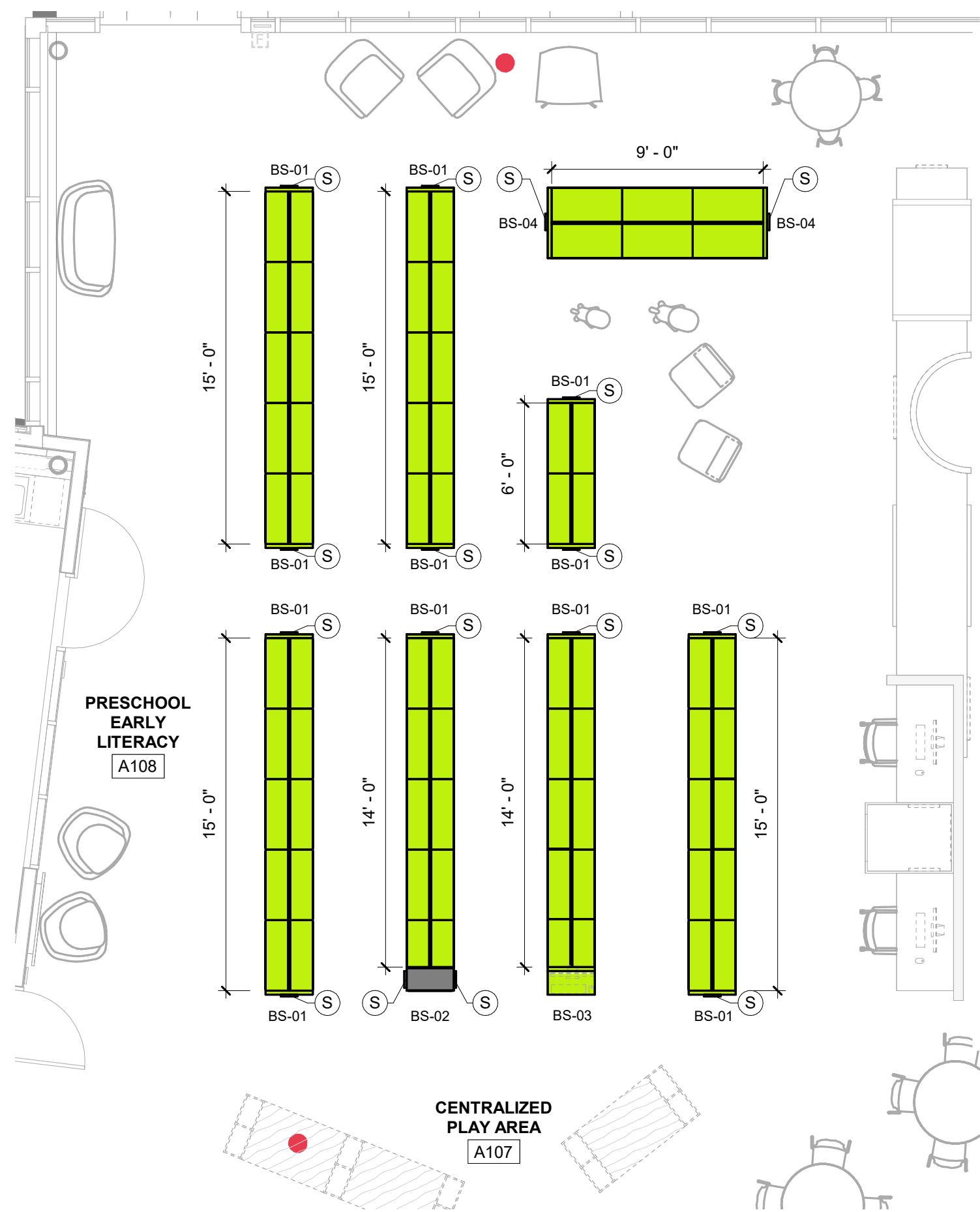
44" HEIGHT (BOARD BOOK SHELVES)



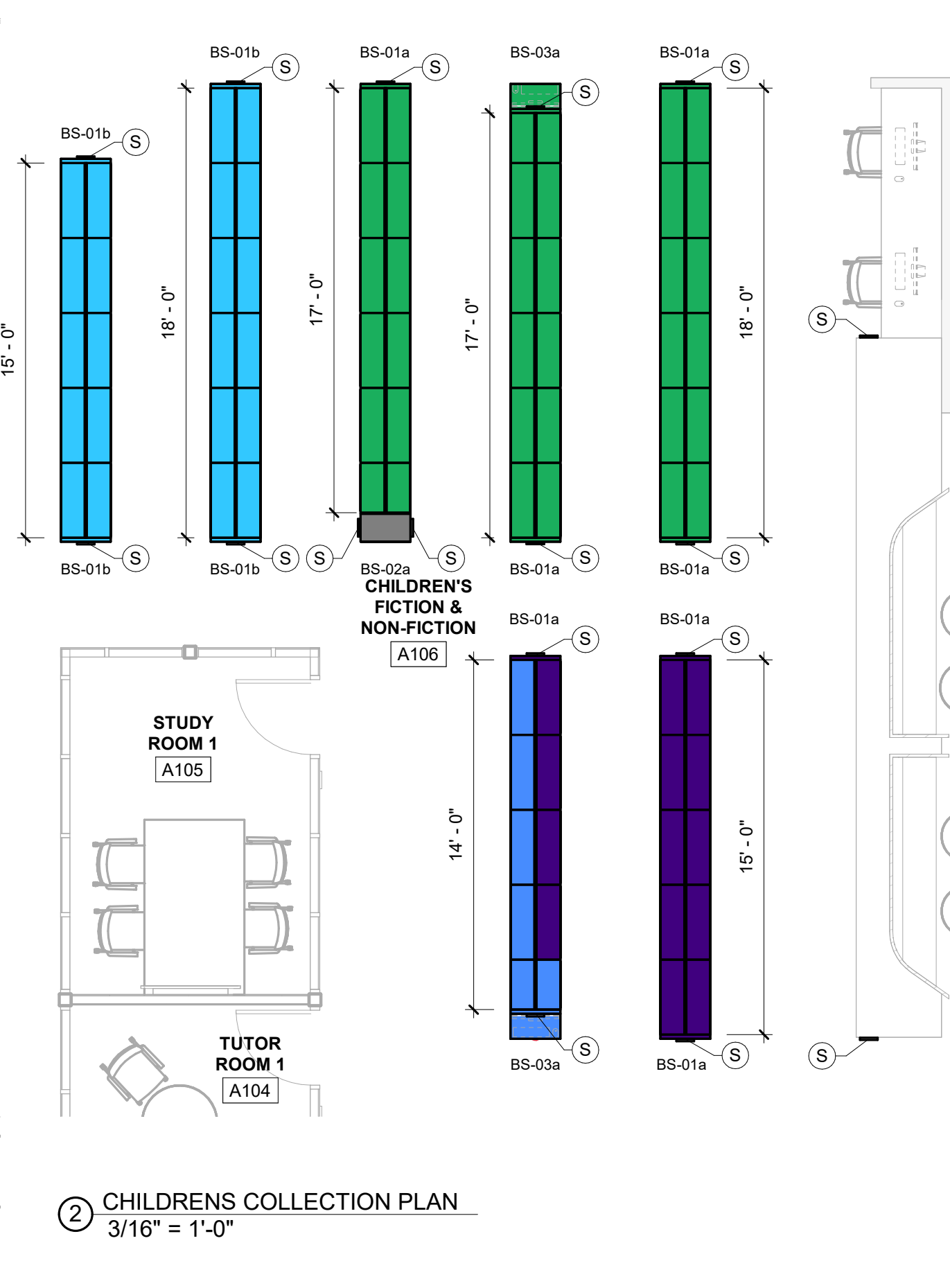
- END PANEL: 2" THICK SOLID SURFACING (BASIS-OF-DESIGN COLOR: CORIAN DESIGNER WHITE)
- PLASTIC LAMINATE WITH 3MM THICK PVC EDGE BANDING TO MATCH LAMINATE (BASIS-OF-DESIGN COLOR: FORMICA 949-58 WHITE)



① SIGN TYPE S - COLLECTION SIGNAGE
6" = 1'-0"



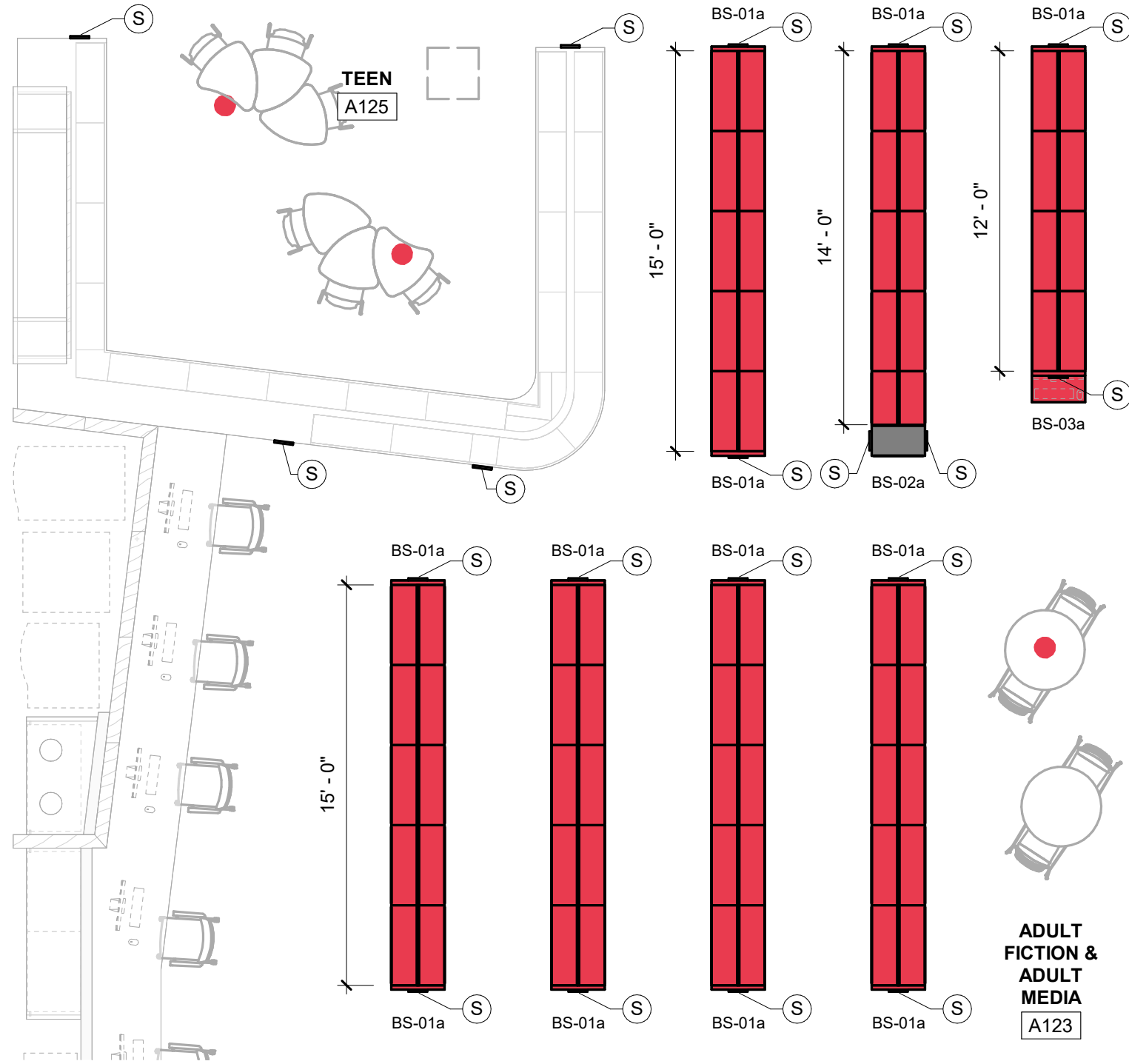
① PRESCHOOL COLLECTION PLAN
3/16" = 1'-0"



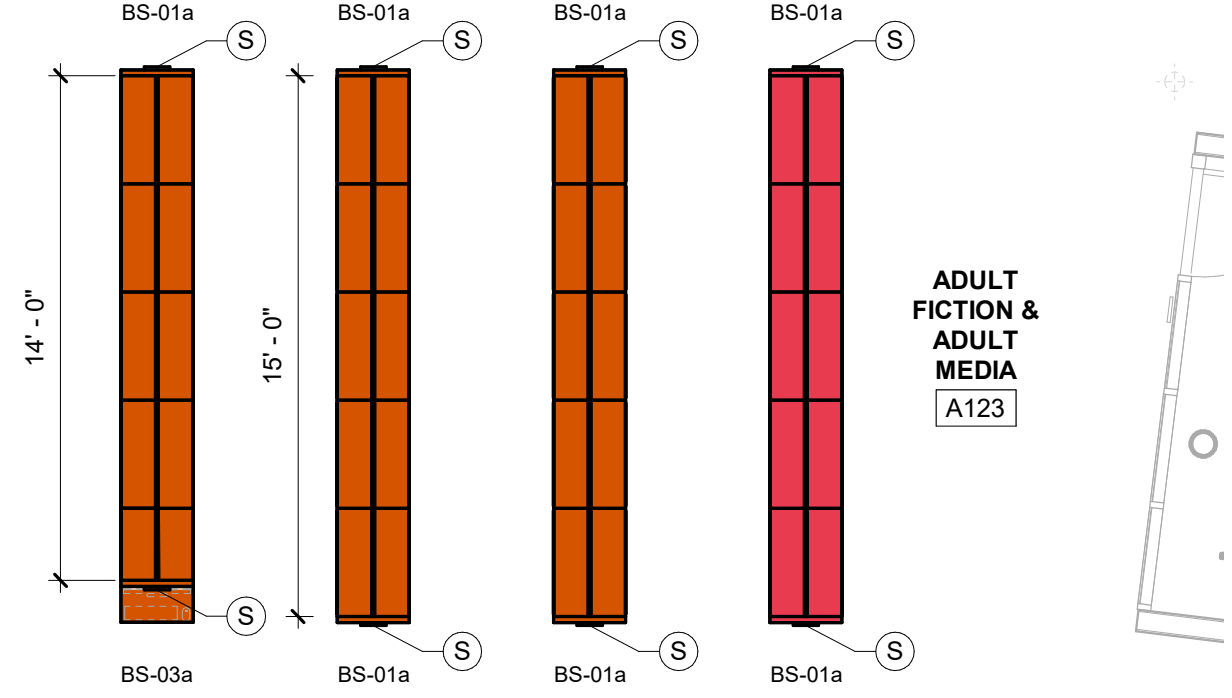
② CHILDRENS COLLECTION PLAN
3/16" = 1'-0"



① ADULT & RETIRED COLLECTION PLAN
 3/16" = 1'-0"



① ADULT COLLECTION PLAN
3/16" = 1'-0"



② ADULT COLLECTION PLAN 2
3/16" = 1'-0"